

# LDS-15 / LDS-30 USER MANUAL

Thank you for selecting this DC to AC Pure Sine Wave Power Inverter. It designed to be your best companion at home, in the office, when traveling, outdoors camping, at sea, etc...

## ***Please read this manual!***

This manual provides safety, installation and operating instructions that will help you derive the fullest performance and service life that this Power Inverter has to offer.

## ***Please save this manual!***

It includes importance instructions for the safe use of this Power Inverter and for obtaining factory service should the proper operation of the Power Inverter come into question.

## ***Please save or recycle the packaging materials!***

The Power Inverter's shipping materials were designed with great care to provide protection from transportation related damage. These materials are invaluable if you ever have to return the Power Inverter for service. Damage sustained during transit is not covered under the warranty.

## **1. GENERAL SAFETY**

- Read this General Safety, Installation and Operation Guidelines carefully before using your inverter and strictly follow the instructions.
- Never attempt to operate the inverter from any power source other than 12VDC or 24VDC battery.
- For 300W inverter, failure to properly connect wiring between inverter and power source will result in reverse polarity. Reverse polarity will blow the internal fuse in the inverter and permanently damage said inverter. Damage caused by reverse polarity is not covered under our warranty. 150W inverter directly plug into cigarette lighter socket of auto for connection (please see fig.3).
- Loose connections can result in a severe decrease in voltage which may cause damage to the wires and insulation.
- Keep inverter and 12VDC or 24VDC battery (power source) away from any inflammables to avoid possible fire or explosion. Note that it is normal to experience sparks during connection between the Positive (+) terminal of the inverter and 12VDC or 24VDC battery. This is caused by the current flow to charge the capacitors within the inverter.

- Always properly ground the inverter before operation to avoid possible electrical shock. Connect the earth cable to the chassis terminal (please see fig.5).
- Make sure that the power consumption of the appliance or equipment you wish to operate is compatible with the capacity of the inverter.
- Monitor battery temperature for approximately 10 minutes when attempting to recharge battery. Immediately disconnect when battery become abnormally warm.
- When operating the inverter with a car or marine battery, start the engine every 30 to 60 minutes and let it run for approximately 10 minutes to recharge the battery.
- In the every event of a continuous audible alarm or automatic shut-off, immediately turn the inverter power switch to OFF position. Do not restart the inverter until the source of the problem has been identified and corrected.
- Do not expose the inverter to moisture.
- Avoid placing inverter near sources of heat or under direct sunlight.
- Make sure inverter is well ventilated during use. At least, keep a free space of 10cm around the inverter (please see fig.1).

## **2. INSTALLATION**

- Location set-up : power inverter unit will have to be installed on cool, dry and well ventilated area. Away from inflammables.
- Cable: make sure to use the correct cables. A table is provided below for your reference:

Max. Watt Output	Amps Required	Wire Gauge
150W	15A	#14 or 2mm
300W	30A	#10 or 4mm

- Grounding : connect chassis ground terminal lug to earth ground or vehicle chassis using #8 AWG wire.

## **3. OPERATIONAL GUIDELINES**

**STEP 1:** Remove inverter from its packaging. Check to verify that the ON / OFF switch is in the OFF position (please see fig.6).

**STEP 2:** Connect the cables to the Input Terminals located at the rear part of the inverter. Do not tighten these screws excessively.

**STEP 3:** Connect the cable securely from the Negative Terminal (-) of the inverter to the Negative Terminal (-) of the 12VDC or 24VDC power source (please see fig.2).

**STEP 4:** Connect the cable securely from Positive Terminal (+) of the inverter to the Positive Terminal (+) of the 12VDC or 24VDC power source.

**\* STEP 3 and STEP 4 for 300W inverter. For 150W inverter, please directly plug into cigarette lighter socket of auto.**

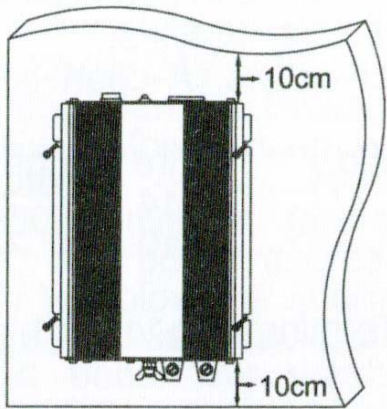
**STEP 5:** Set power switch to ON position. Check the status of the LED indicators. LED indicators should be lighted.

**STEP 6:** Set power switch to OFF position.

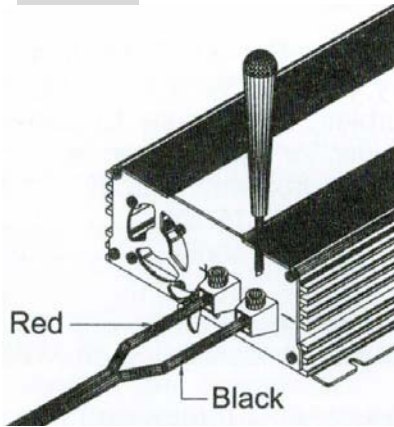
**STEP 7:** Plus the equipment / appliance into AC receptacle at the front panel of the inverter (please see fig.6). Leave the equipment / appliance switched OFF.

**STEP 8:** Set the power switches of both inverter and equipment / appliance, respectively, to ON position. Inverter is now ready to transfer power to the equipment / appliance.

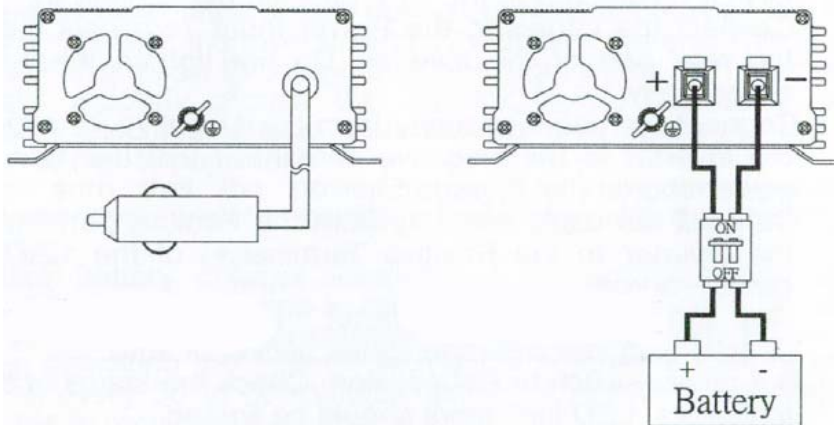
**FIGURE 1**



**FIGURE 2**

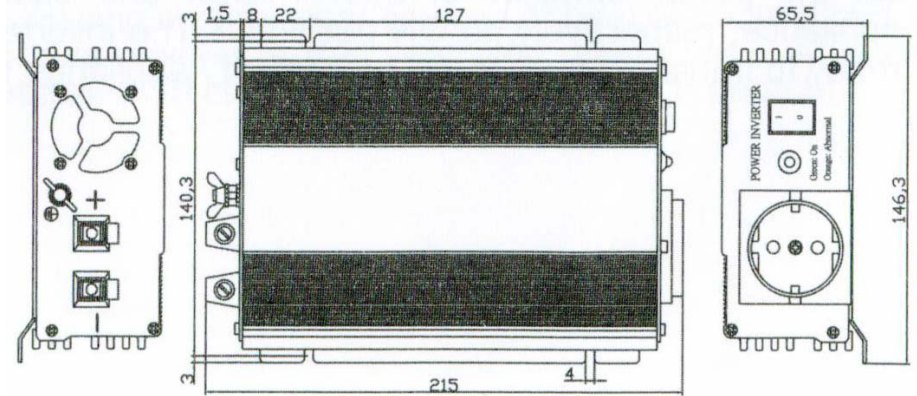


**FIGURE 3**

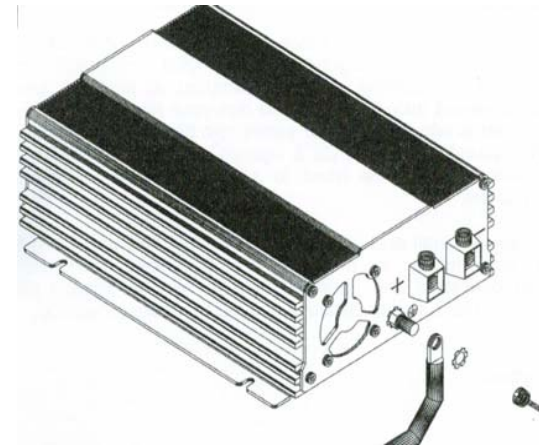


P3

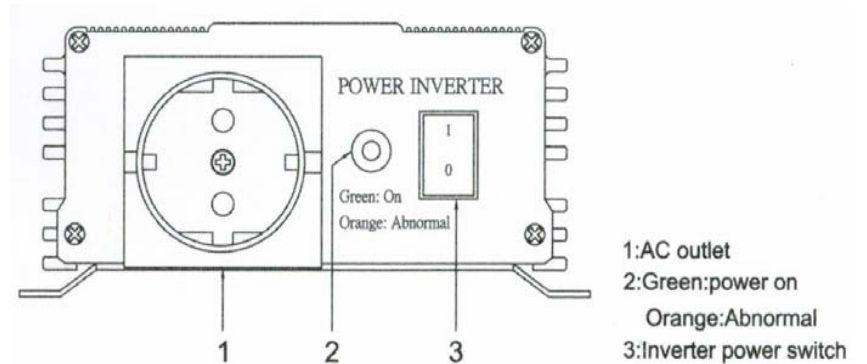
**FIGURE 4**



**FIGURE 5**



**FIGURE 6**



P4