

LUCR Series



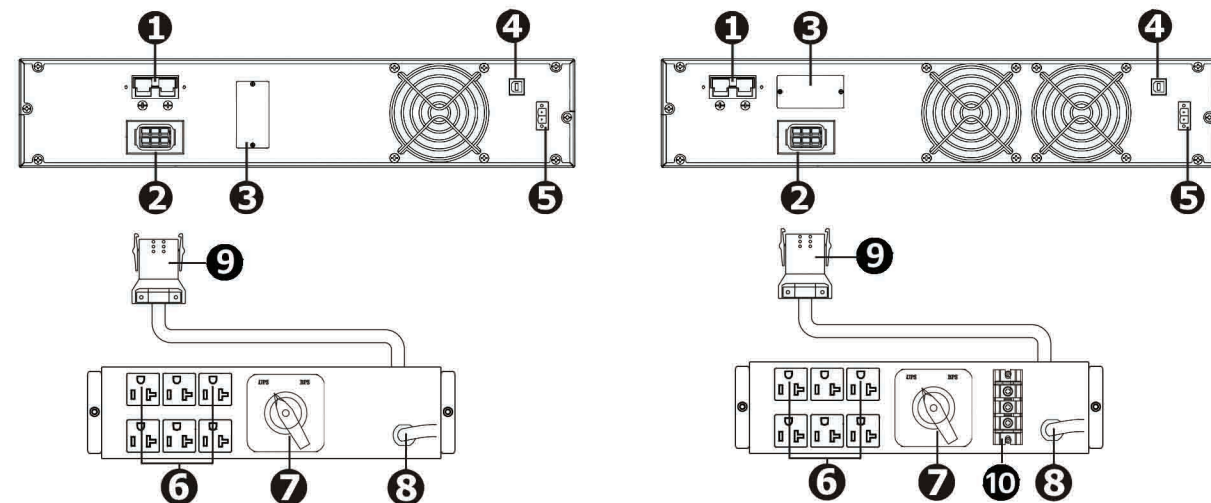
- Pure sine wave double conversion on line UPS
- Microprocessor control guarantees high reliability
- Extended backup time with external battery bank
- ECO mode operation for energy saving
- Rack/Tower Convertible
- Emergency power off function (EPO)
- Selectable output voltage via LCD panel
- 50/60Hz frequency converter mode
- SNMP + USB communication ports
- With maintenance bypass switch

Demonstration



* Application to Server, ATM, Network, Telecom, medical equipment and security system

Rear Panel



- ① External battery connection
- ② Maintenance bypass modular connector
- ③ SNMP intelligent slot
- ④ USB communication port

- ⑤ EPO function connector
- ⑥ Output receptacles
- ⑦ Maintenance bypass switch
- ⑧ AC input
- ⑨ Maintenance bypass modular plug
- ⑩ Output terminal

Specification

Model		LUCR-1000	LUCR-3000
Capacity		800W	2400W
Input	Voltage Range	55VAC - 150VAC or 110VAC - 300VAC	
	Frequency	50Hz or 60Hz (Auto Sensing)	
	THD	< 5% at Full Load	
Output	Voltage	100 / 110 / 115 / 120VAC or 208 / 220 / 230 / 240VAC	
	Voltage Regulation	± 2%	
	Frequency	50Hz or 60Hz ± 0.2Hz (Battery Mode)	
	Waveform	Pure Sine Wave	
	THD	< 4% (Linear Load)	
	Crest Ratio	3:1	
Efficiency	AC Mode	> 88%	
	Battery Mode	> 85%	
	ECO Mode	> 93%	
Battery	Voltage	36VDC	110VAC System: 72VDC 220VAC System: 96VDC
	Recharge Time	5Hrs to 90%	
Transfer Time	Line to Battery Mode	0ms	
	Battery to Bypass, ECO	< 4ms	
	ECO to Battery Mode	< 10ms	
Display	LCD	Input, Output, Load, Battery, Mode/Fault/Warning code, Inverter/Bypass operating, Output Voltage/Frequency/Bypass selection information	
Alarm	Battery Mode	Beeping Every 4 Seconds	
	Battery Low	Beeping Every Second	
	Overload	Beeping Twice Every Second	
	Fault	Beeping Continuously	
Communication	Interface	USB / SNMP (Optional)	
Environment	Temperature	0 ° C - 40 ° C	
	Humidity	20 – 90%, non-condensing	
	Noise	< 50dB at 1M	
Dimension	D X W X H (mm)	465 x 19" x 2U	(465 x 19" x 2U) * 2
Net Weight	Kgs	19	42

* Product specification is subject to change without prior notice

Receptacle Option

