

LCH-A Series

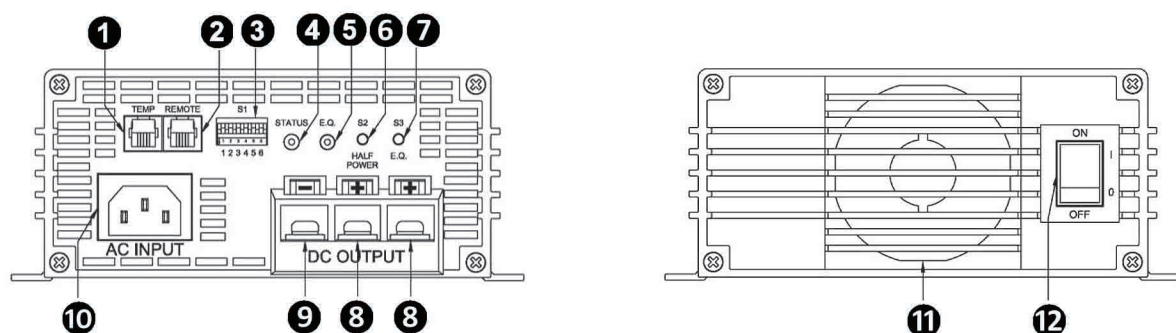


- 4 stages charging - I - Uo - U - Equalization
- Microprocessor control technology
- Full AC input range
- High conversion efficiency
- Power factor correction > 0.97
- Battery charger and power supply selectable
- Maintains battery in perfect condition
- Compact and light weight

Demonstration

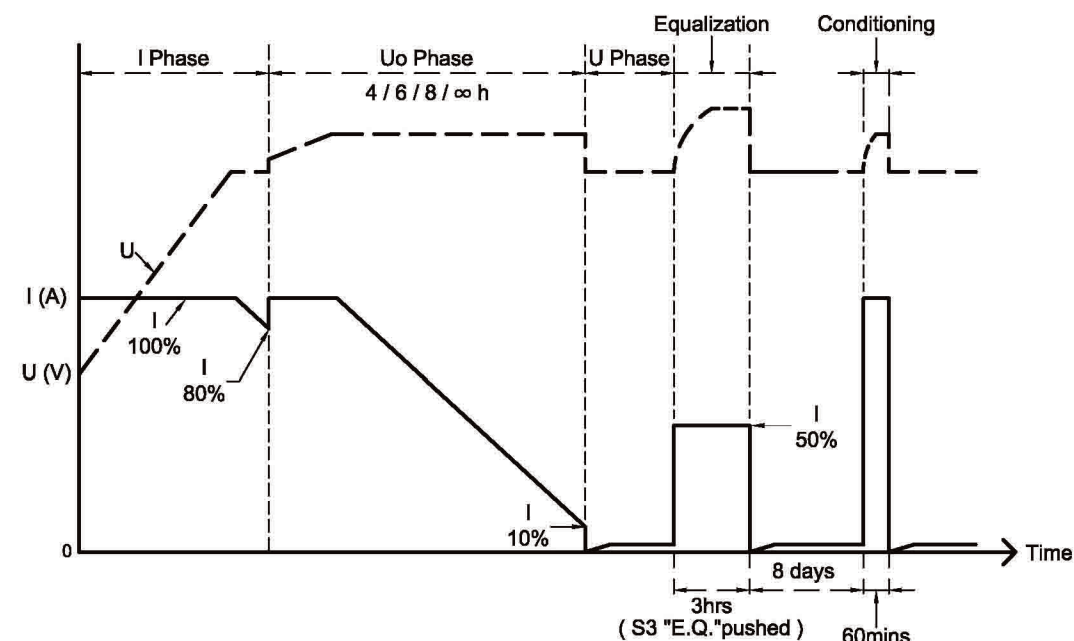


Front & Rear Panel



- ① Temperature sensor
- ② Remote control
- ③ Dip switch
- ④ LED - Status
- ⑤ LED - Equalization
- ⑥ Half power
- ⑦ Equalization on
- ⑧ Battery + connection
- ⑨ Battery - connection
- ⑩ AC input
- ⑪ Ventilation
- ⑫ Power switch

Charging Stages



Specification

Model	LCH-1215A	LCH-1230A	LCH-2415A
Battery Connection	Two		
Input Voltage Range	100 – 240VAC		
Input Frequency	50 – 60Hz		
Power Factor Correction	> 0.97		
Efficiency	115VAC > 87% 230VAC > 90%		> 88% > 91%
Input Current	115VAC 2.3A 230VAC 1.1A		4.2A 2.2A
Charge Mode	Normal 3 stages / Equalization 4 stages		
Output Charging Voltage	14VDC / 14.4VDC / 14.8VDC		28VDC / 28.8VDC / 29.6VDC
Output Float Voltage	13.5VDC / 13.8VDC		27VDC / 27.6VDC
Output Power Mode Voltage	13.2VDC		
Output Charging Current	0 – 15A	0 – 30A	0 – 15A
Equalization Mode	14.8VDC / 15.5VDC (0 – 8A)	14.8VDC / 15.5VDC (0 – 15A)	29.6VDC / 31VDC (0 – 8A)
Half Power Mode	0 – 8A	0 – 15A	0 – 8A
Battery Types	Lead-acid / GEL / AGM / Li-Ion		
Protection	over voltage / over current / over temperature / battery over temperature		
Operating Temperature	-20 ° C - 50 ° C		
Humidity	10 – 90%		
Dimension (mm)	245 * 175 * 70		265 * 175 * 70
Weight	1.4kgs		1.6kgs

* Product specification is subject to change without prior notice